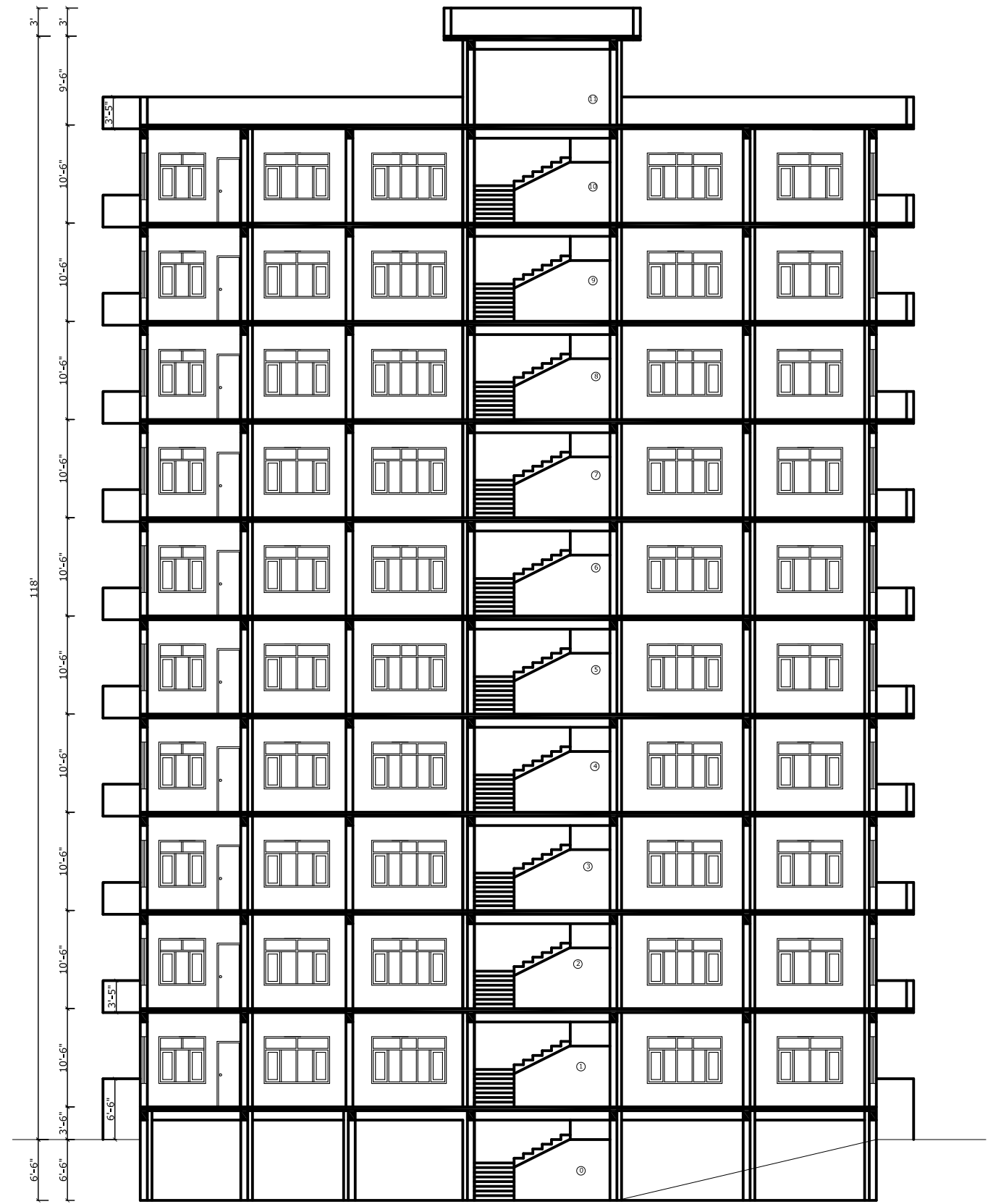
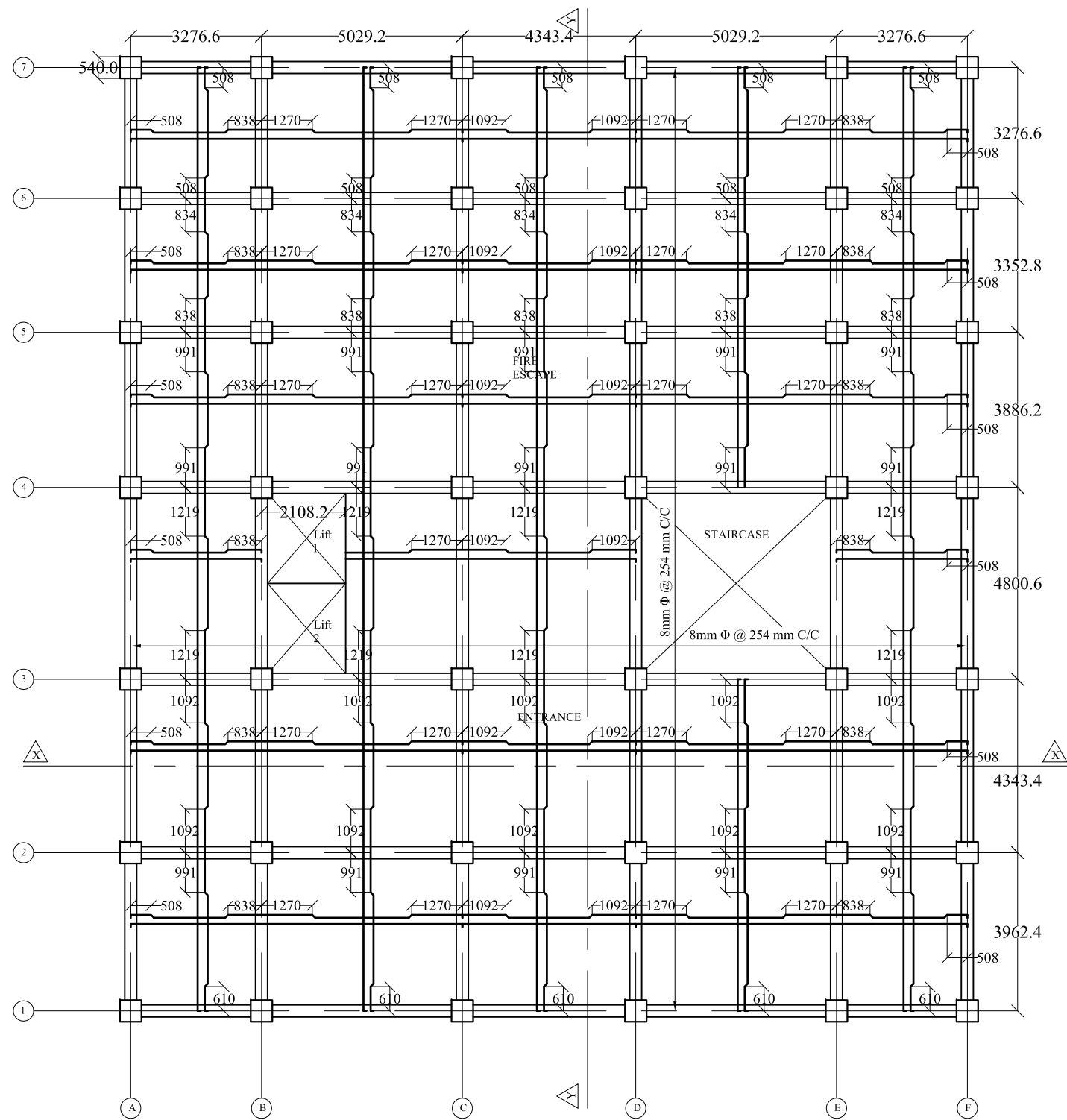


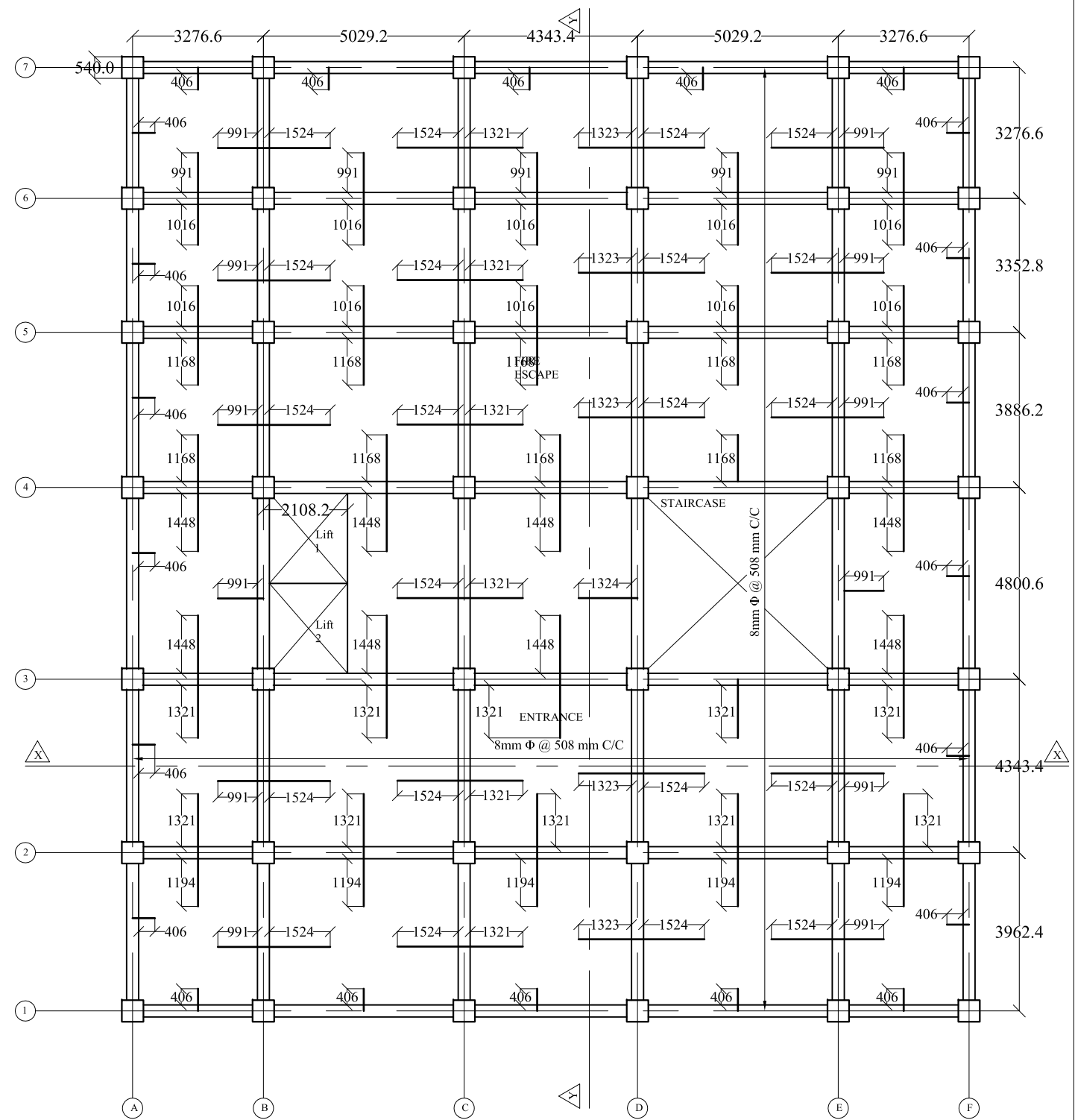
SECTION A-A



SECTION B-B

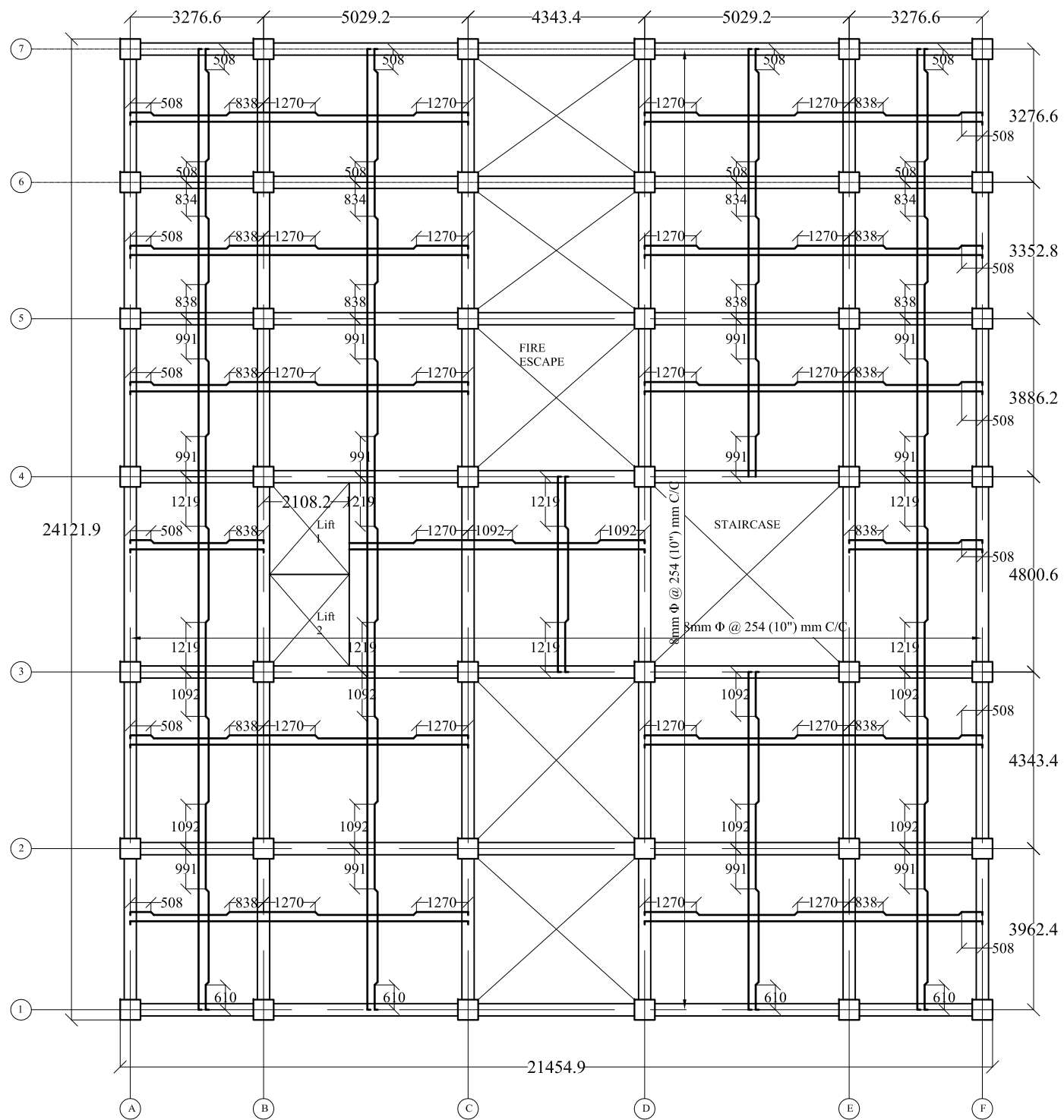


Bottom Reinforcement

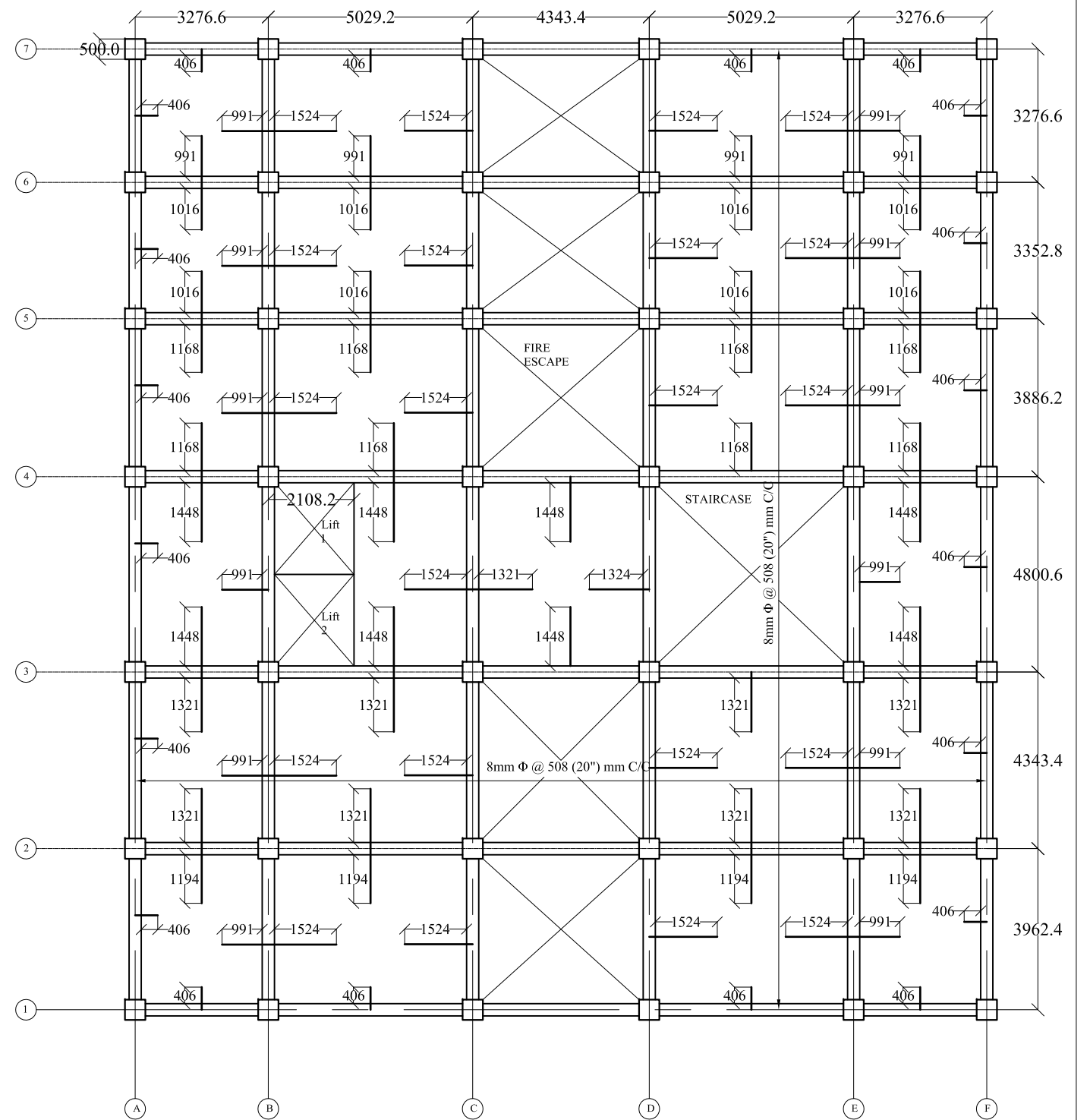


Top reinforcement

GROUND FLOOR SLAB REINFORCEMENT DETAILING

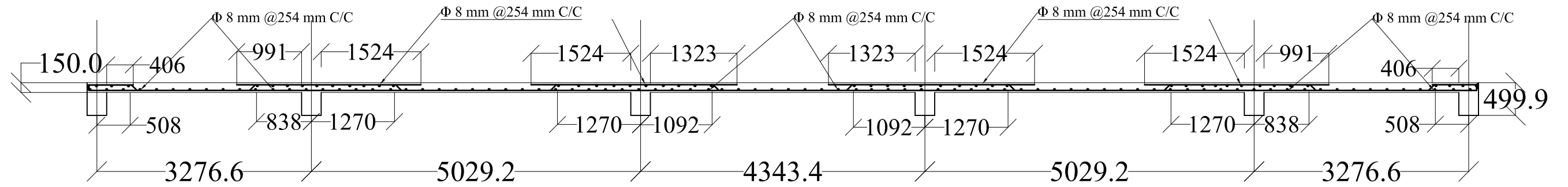


Bottom Reinforcement

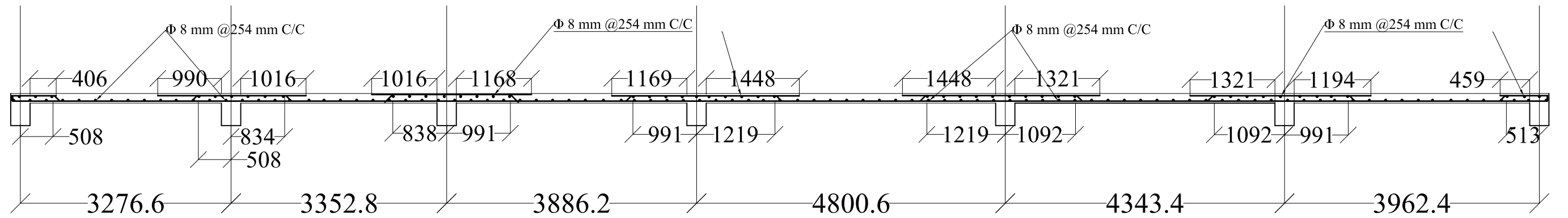


Top reinforcement

TYPICAL FLOOR SLAB REINFORCEMENT DETAILING

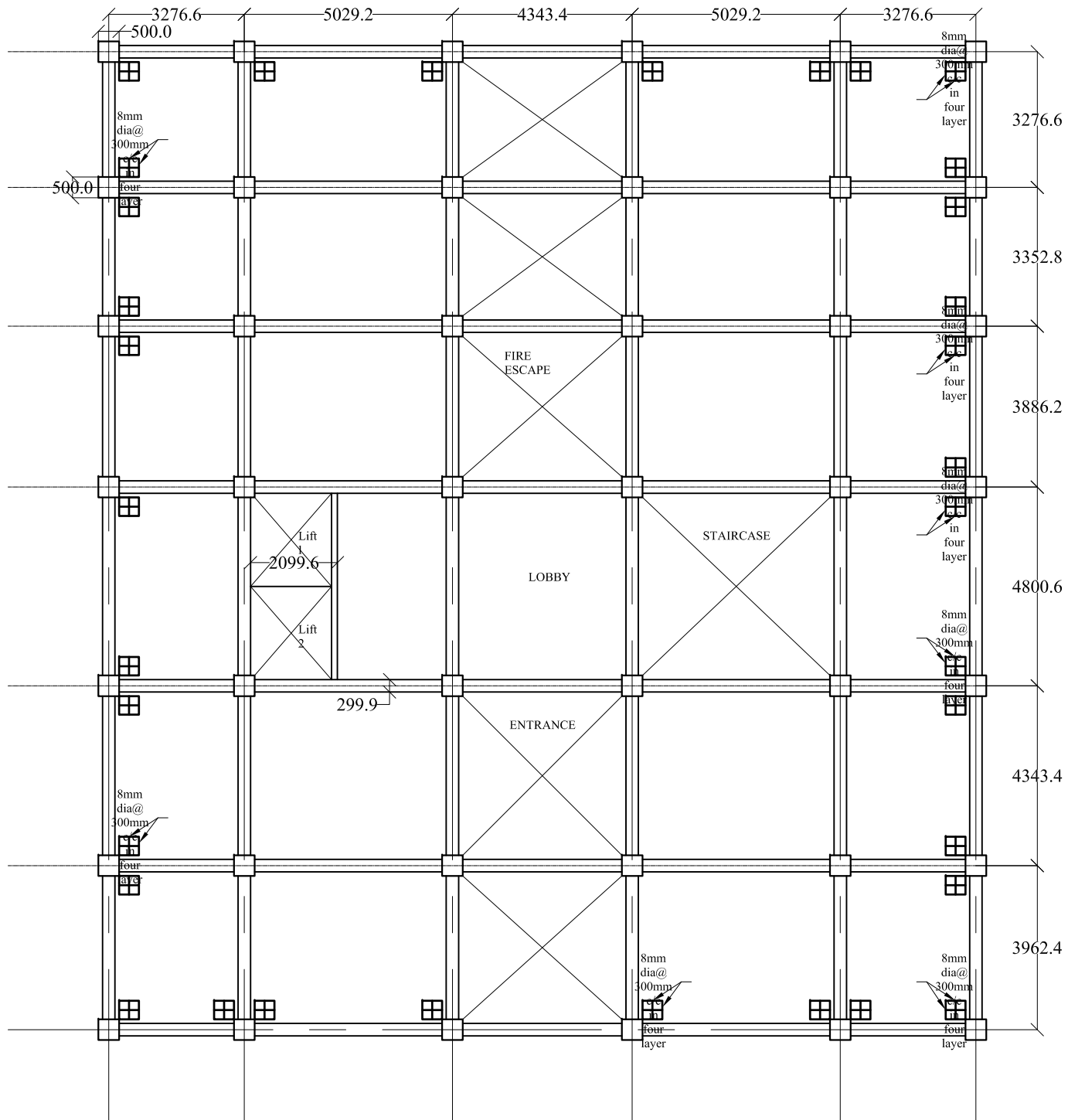


SECTION AT X-X

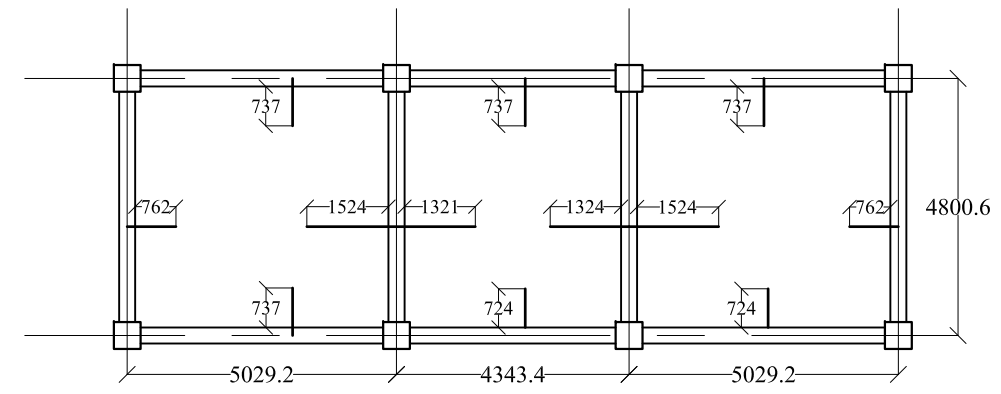


SECTION AT Y-Y

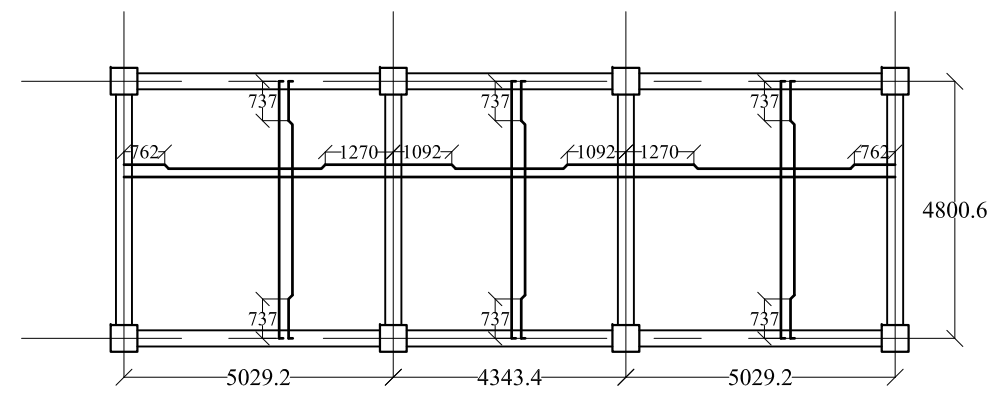
REINFORCEMENT DETAILING



Cornor Reinforcement

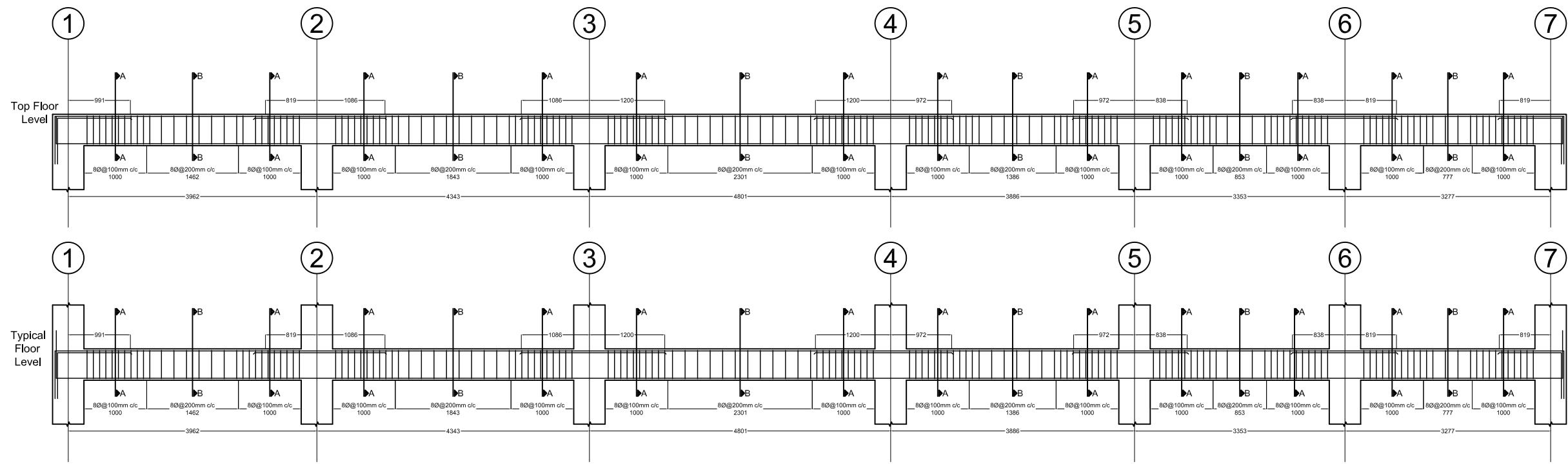


Top reinforcement

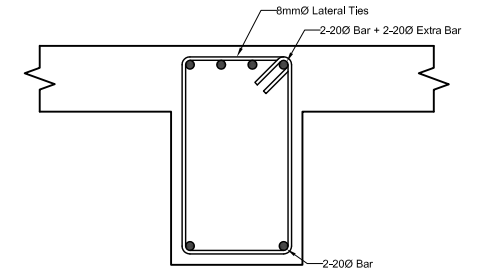


Bottom Reinforcement

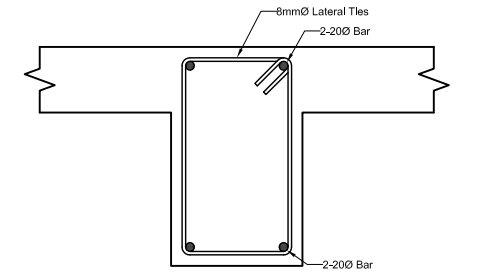
REINFORCEMENT DETAILING PLAN OF STAIRCASE COVER



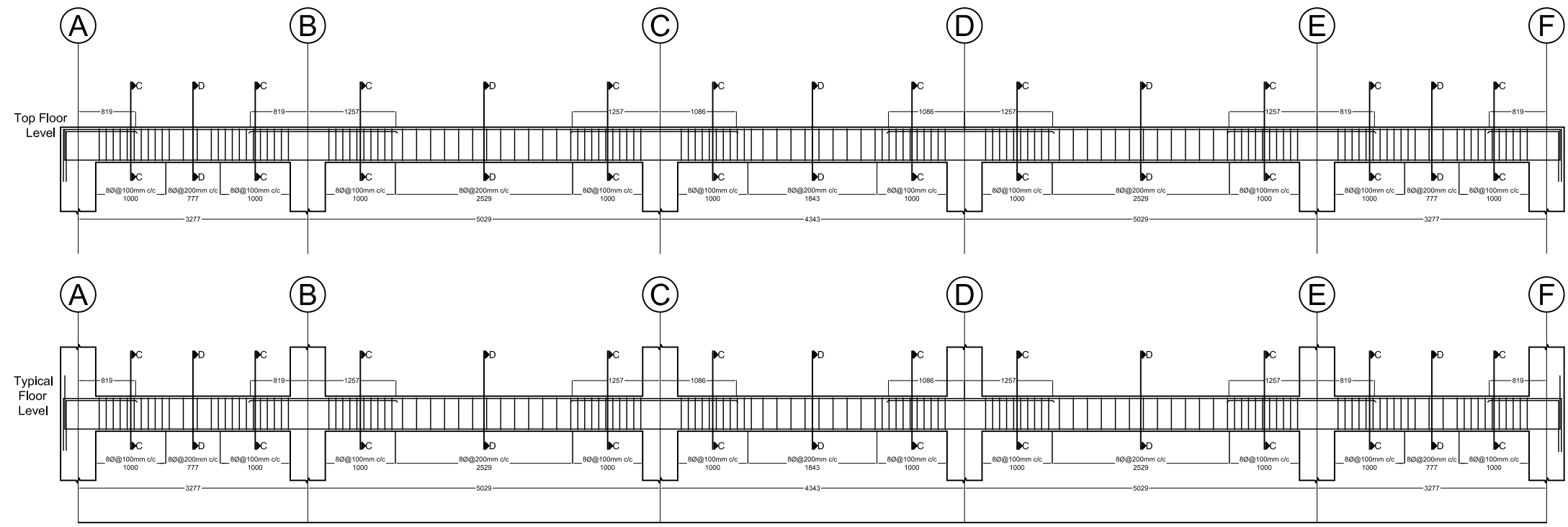
LONGITUDINAL SECTION ALONG Y-Y GRID



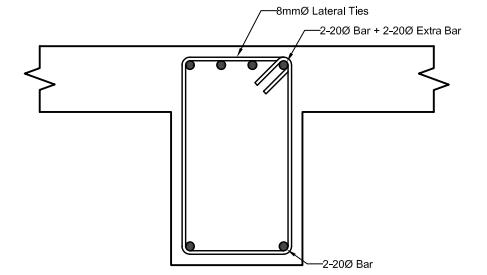
SECTION AT A-A



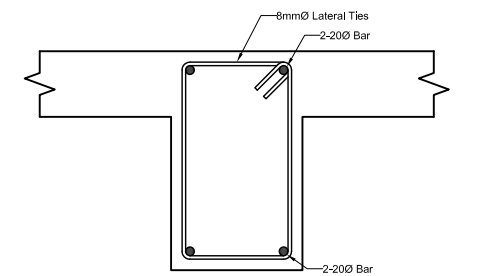
SECTION AT B-B



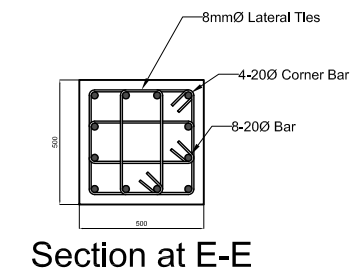
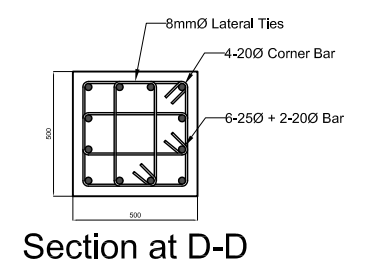
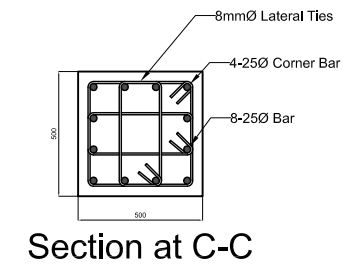
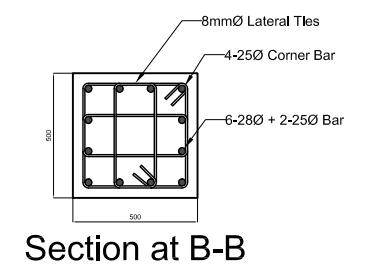
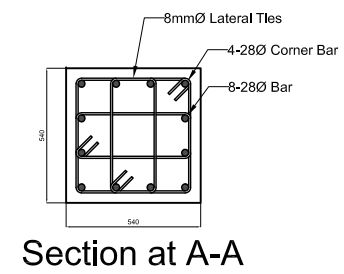
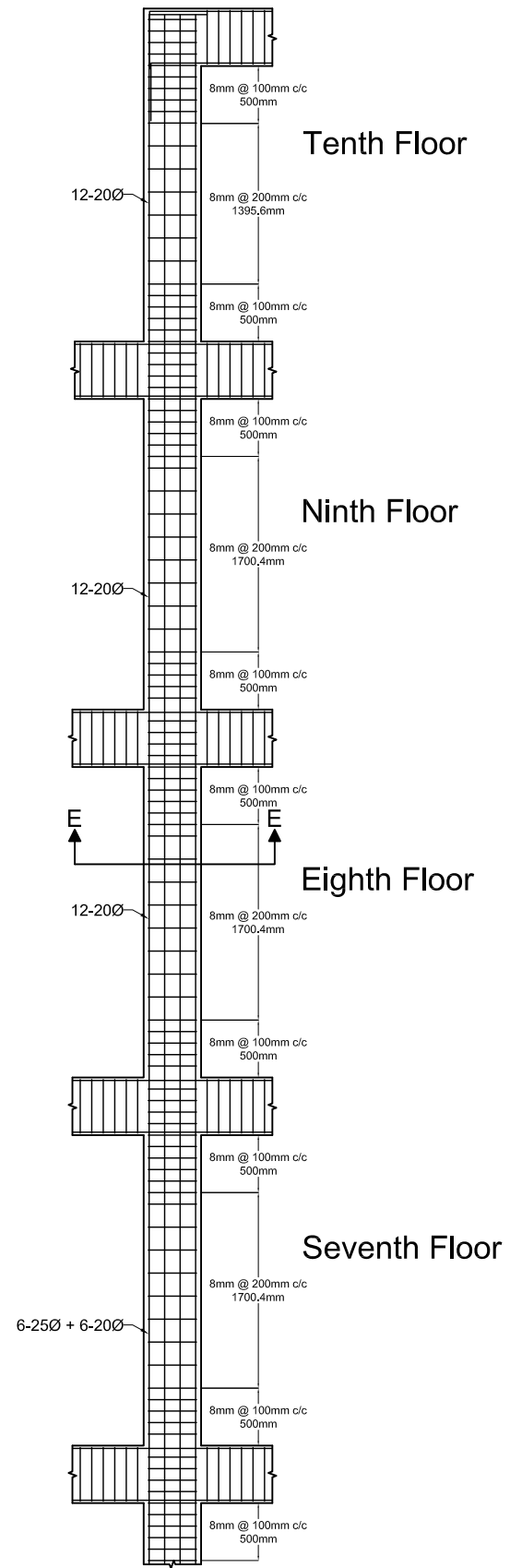
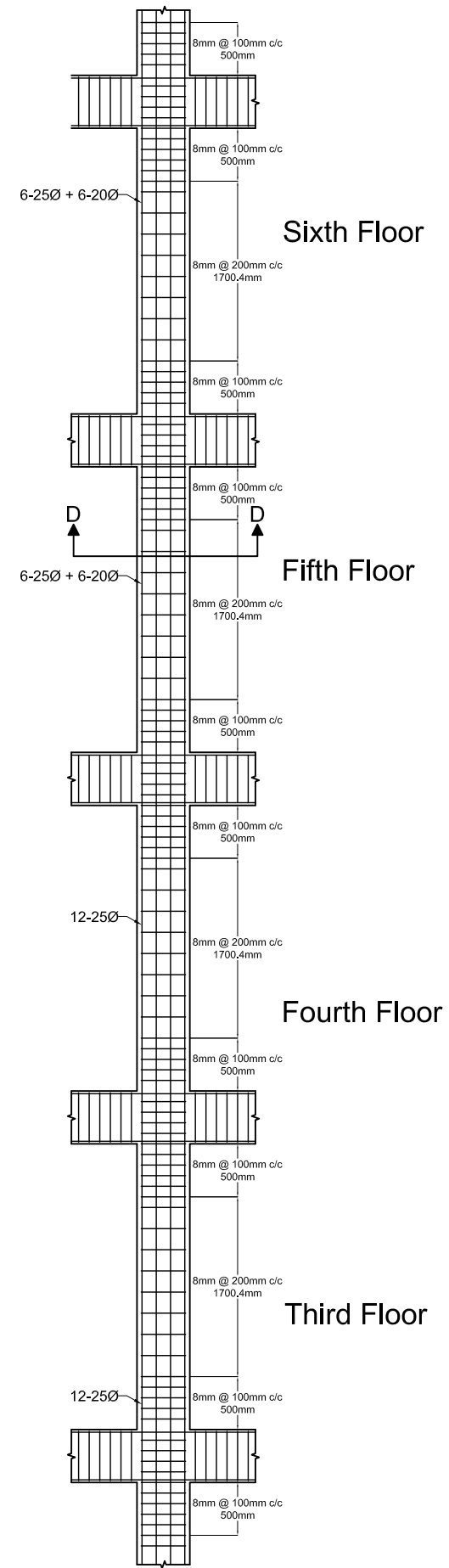
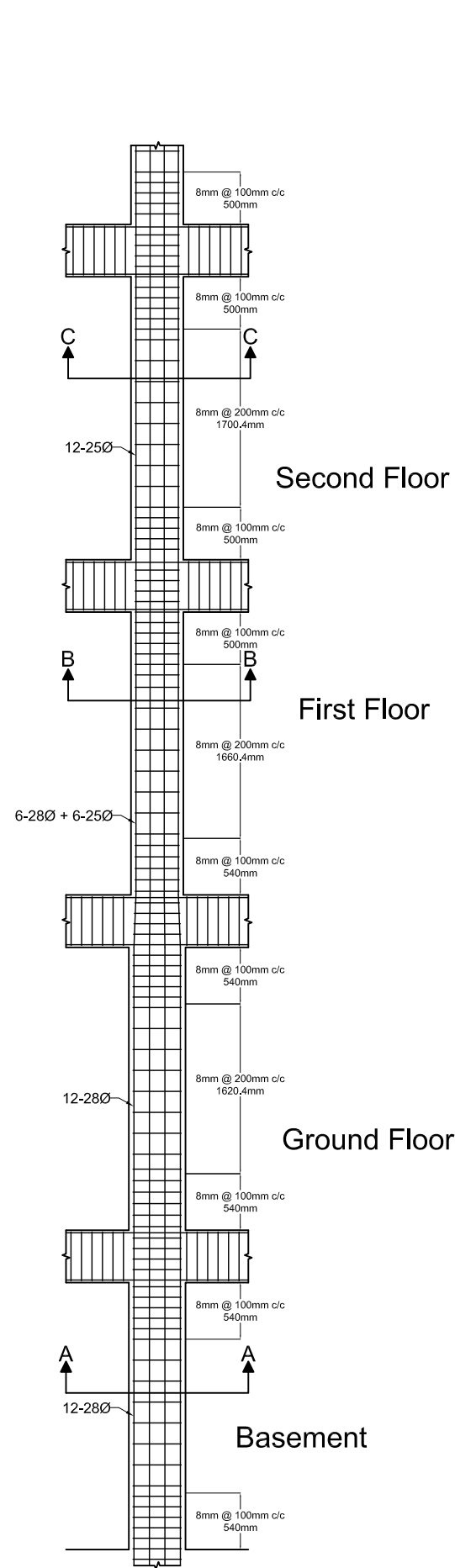
LONGITUDINAL SECTION ALONG X-X GRID

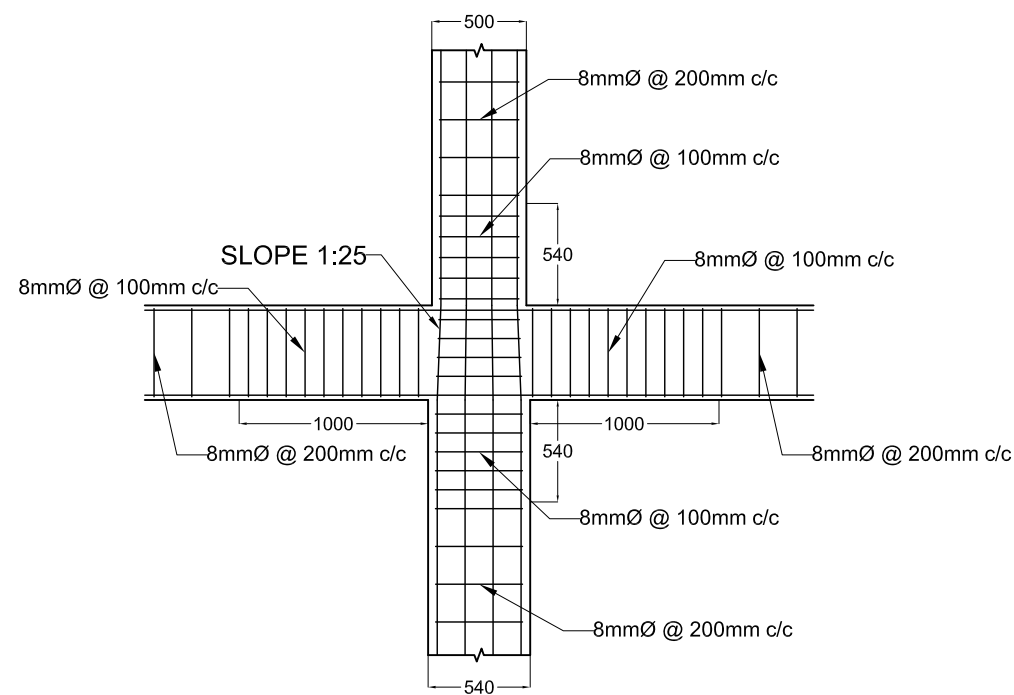


SECTION AT C-C

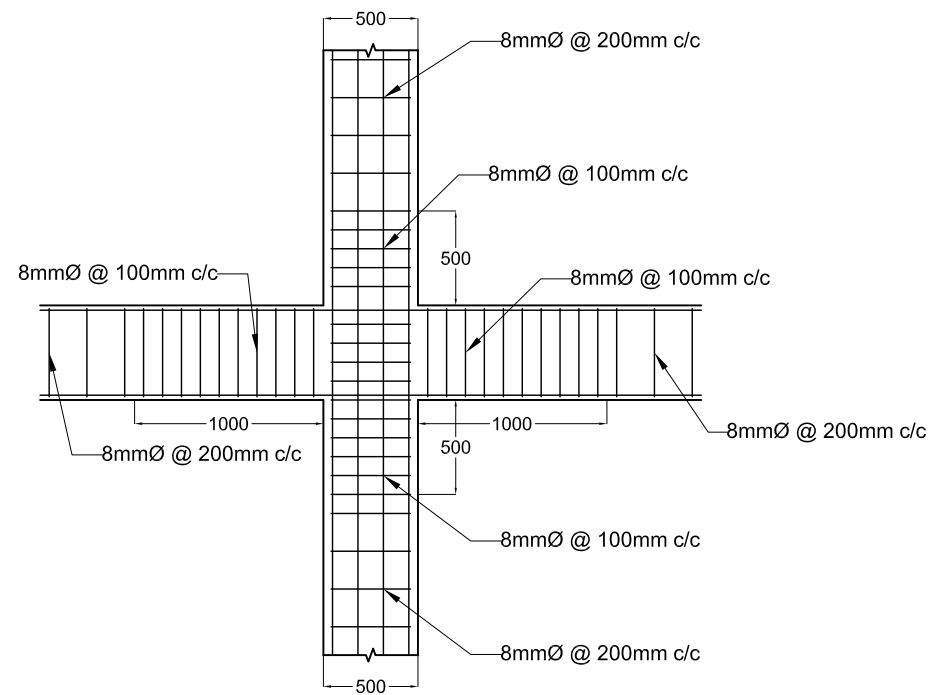


SECTION AT D-D

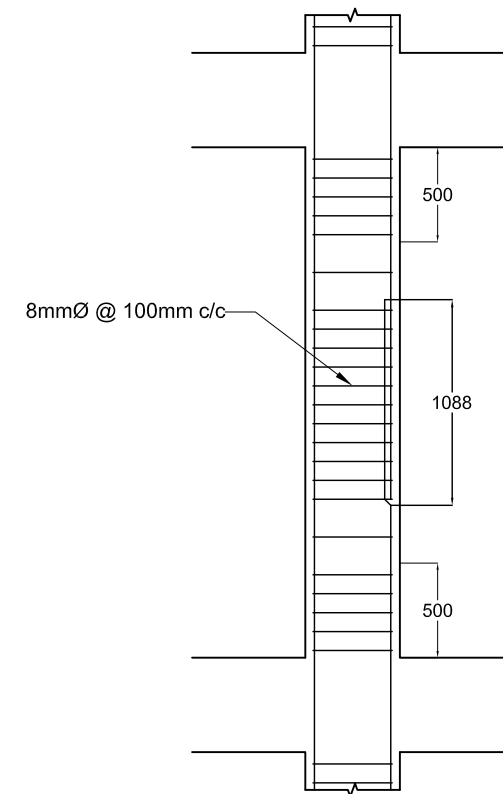




FIRST FLOOR

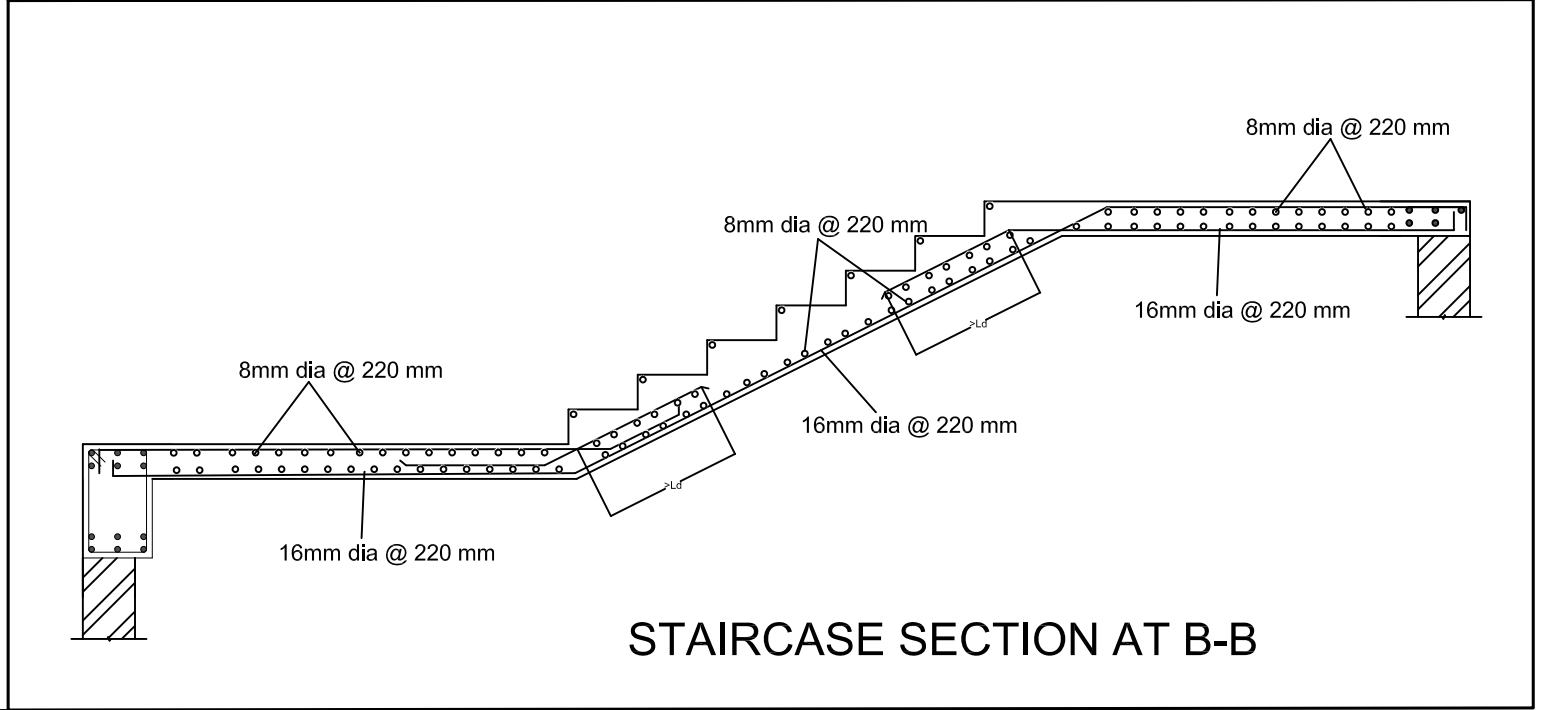
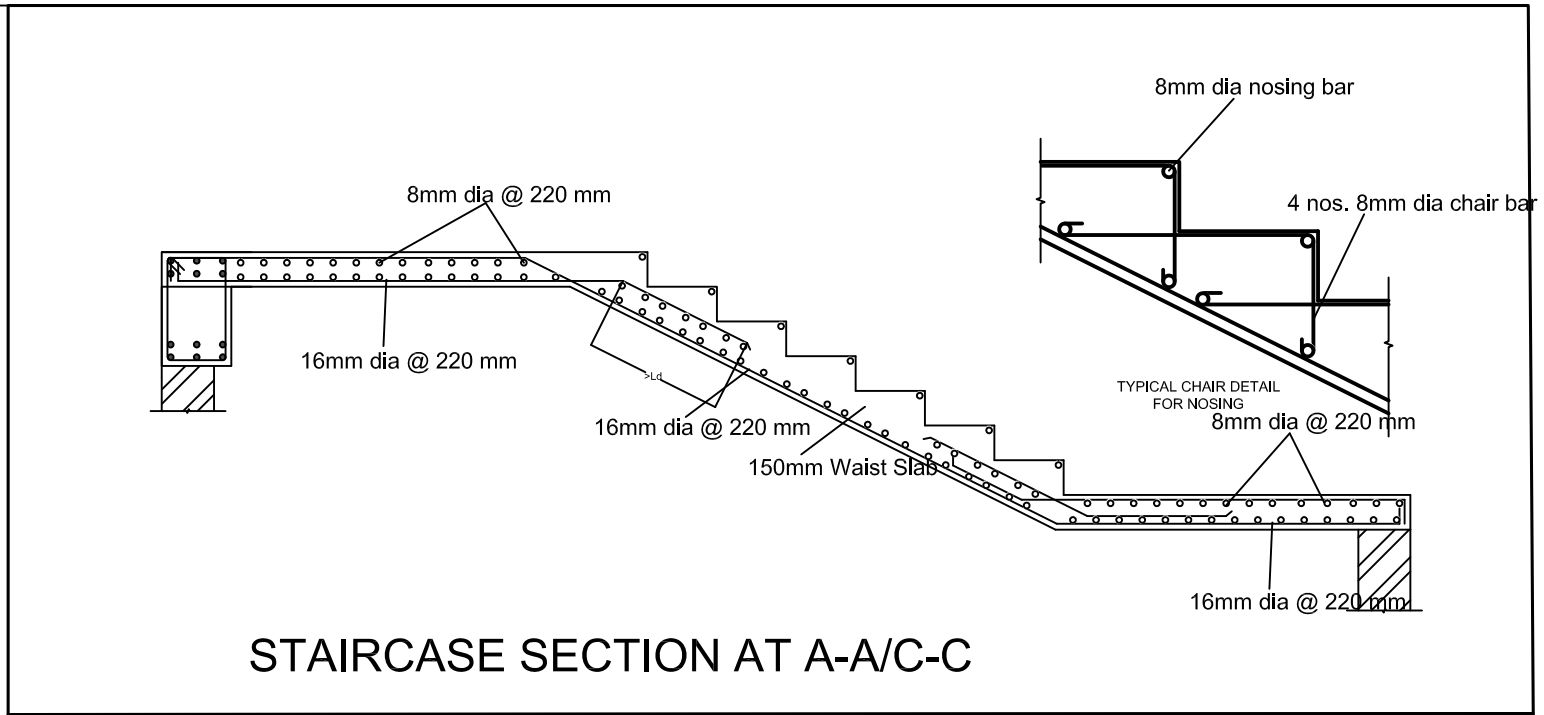
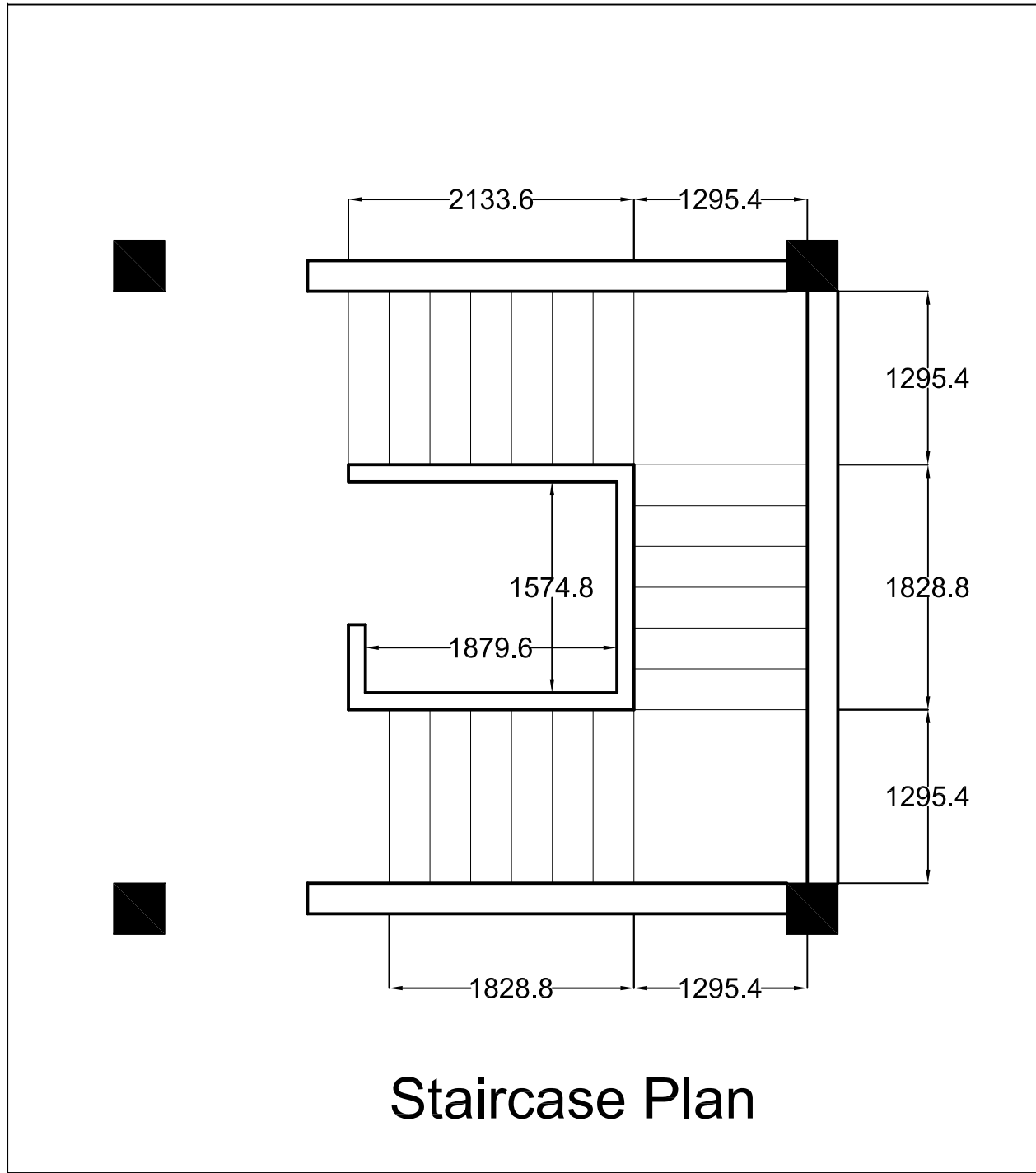


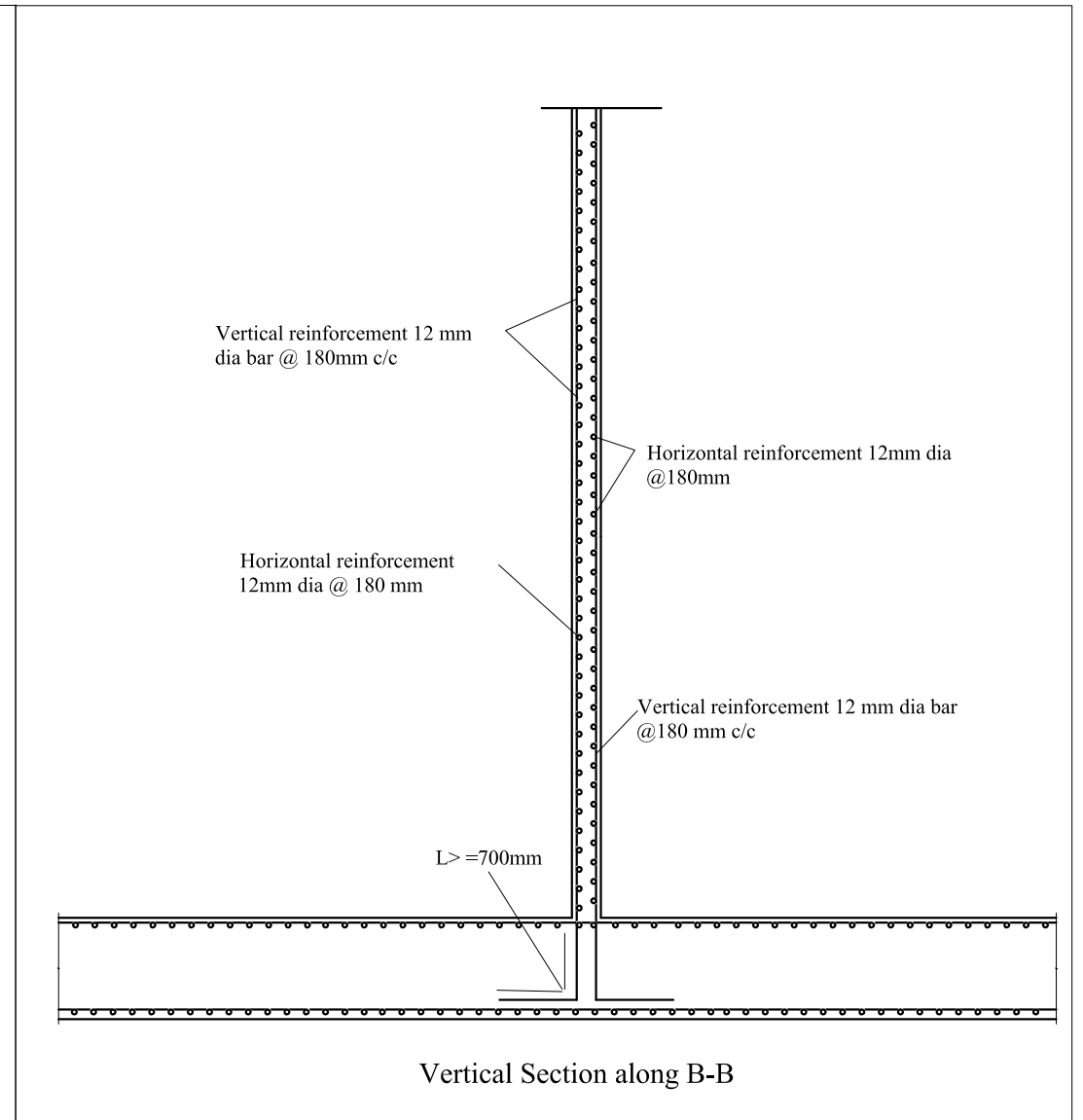
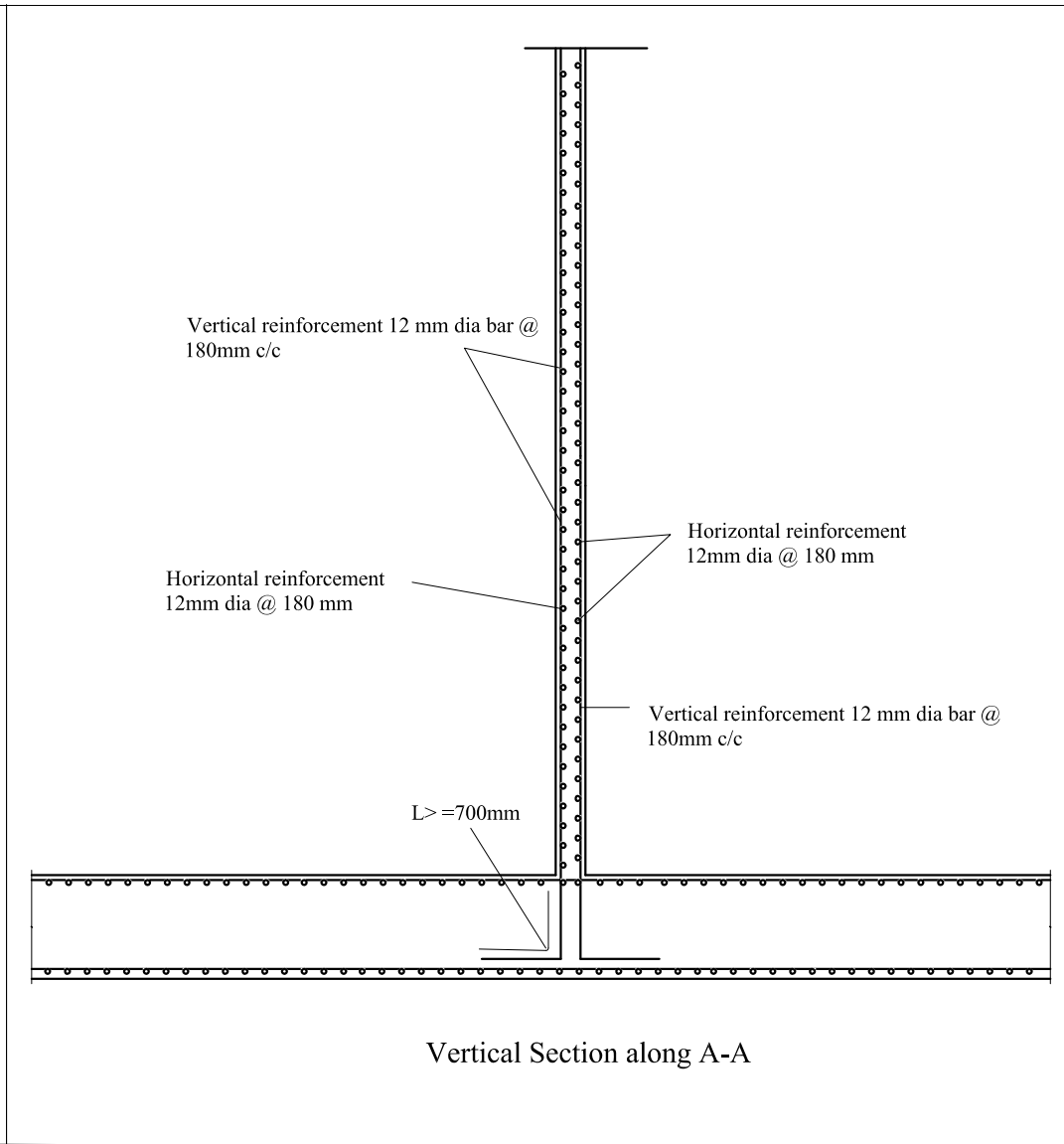
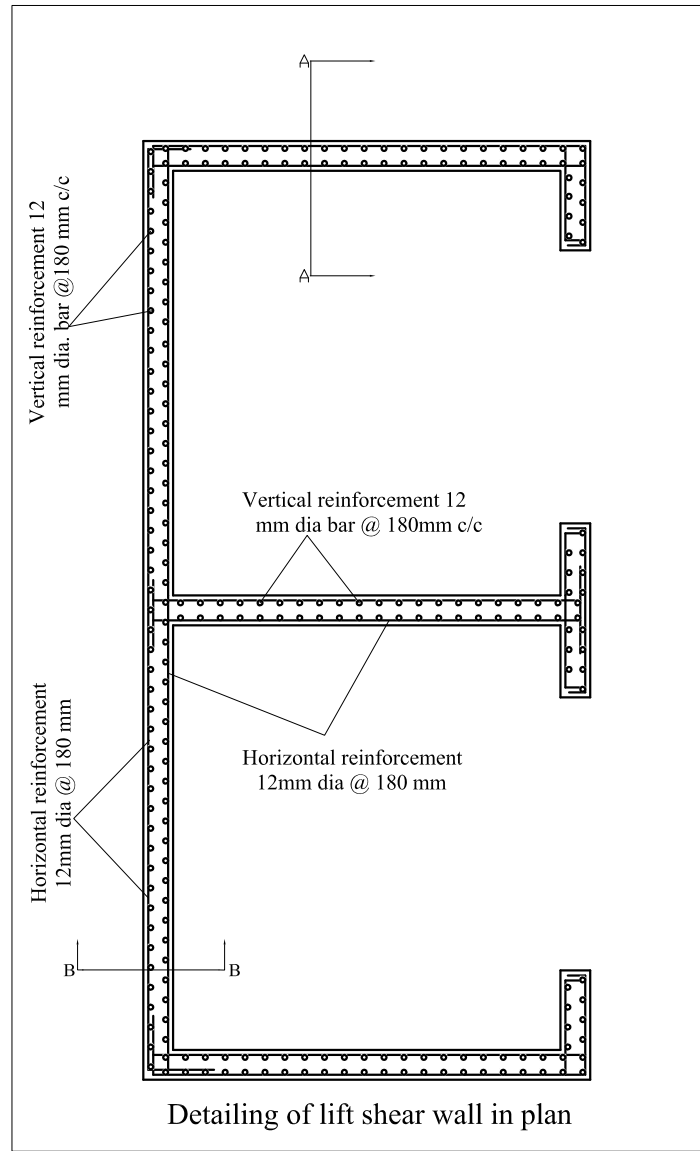
TYPICAL FLOOR

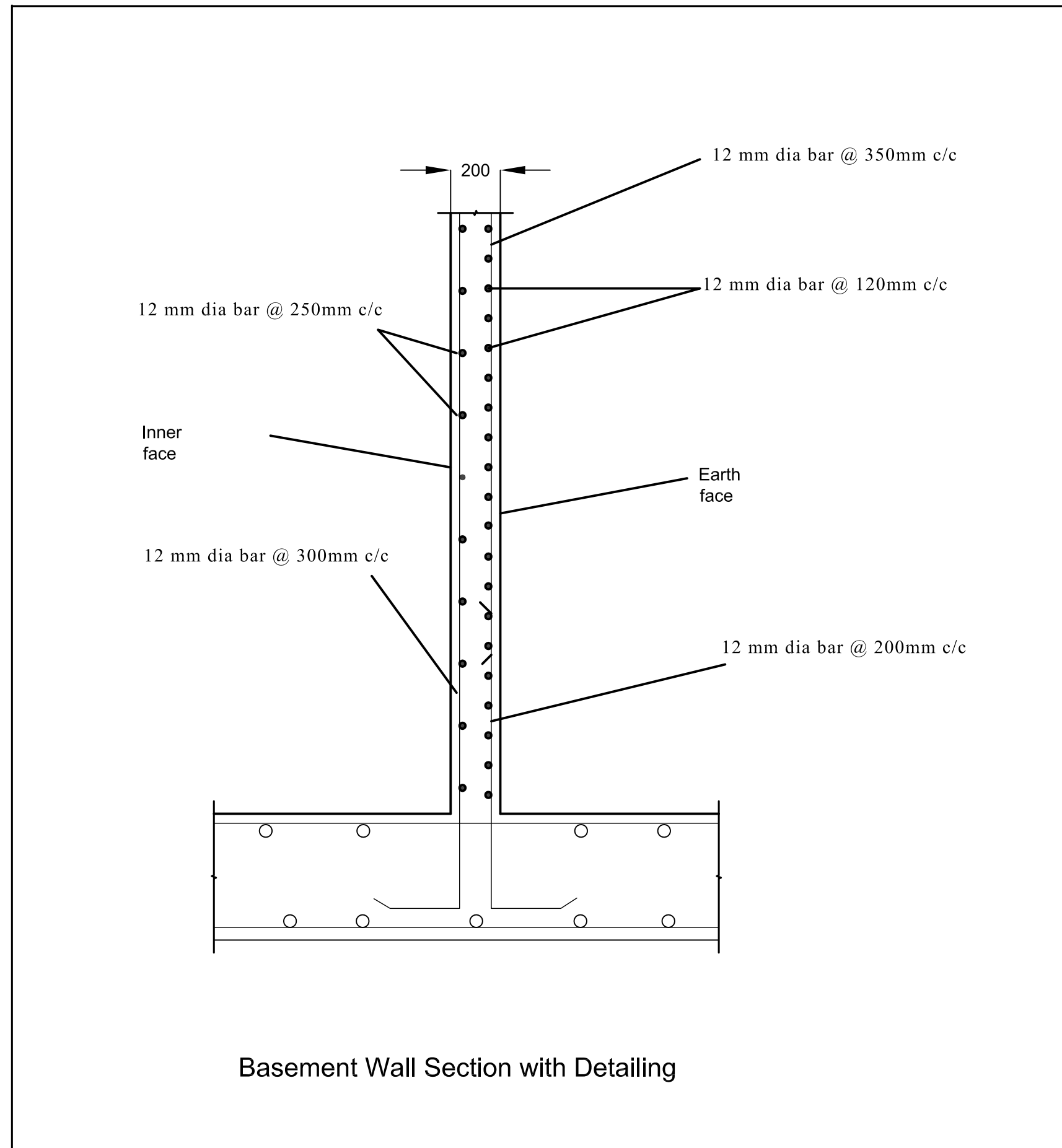


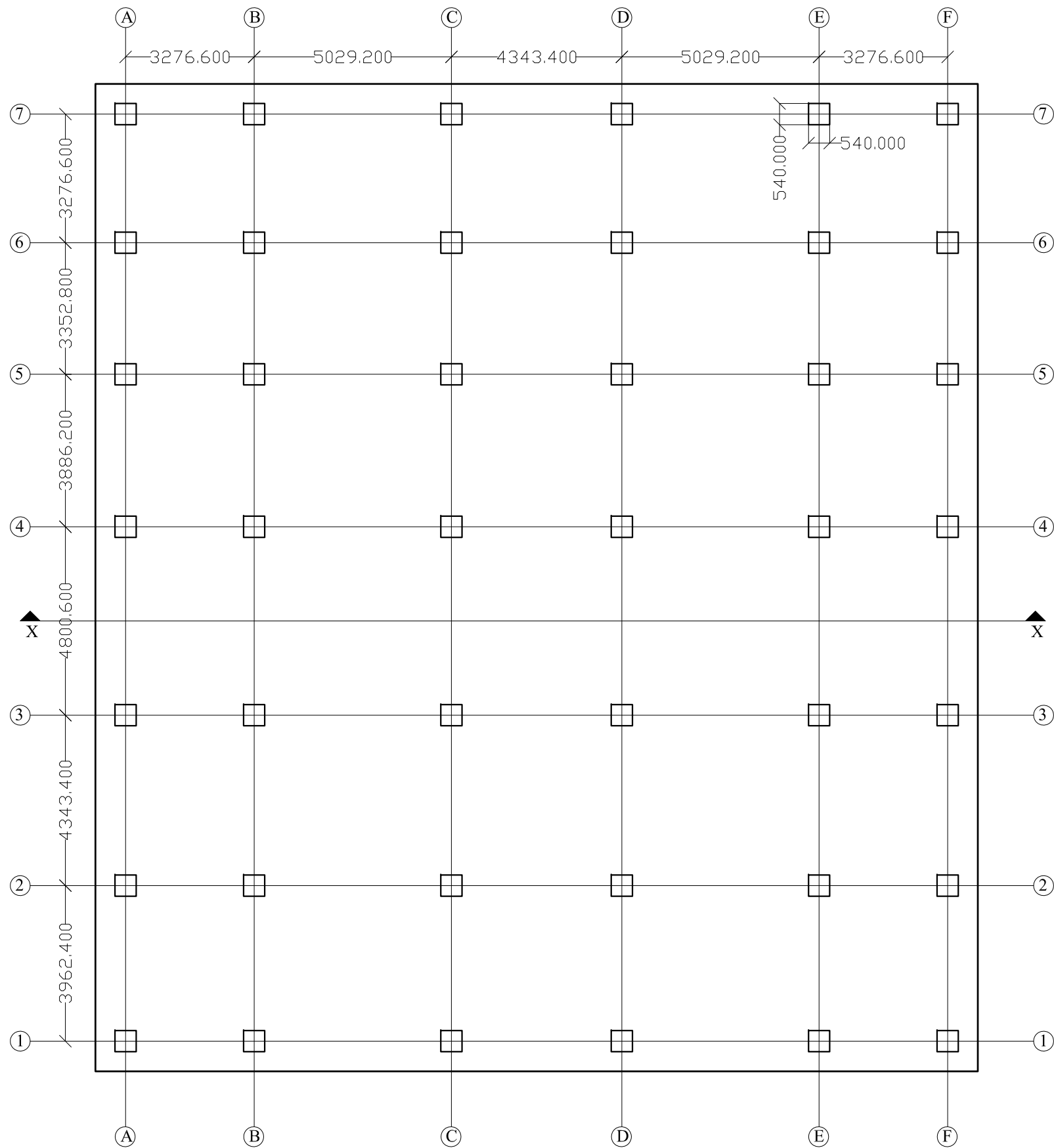
COLUMN SPLICING DETAILS

BEAM-COLUMN JOINT DETAILS

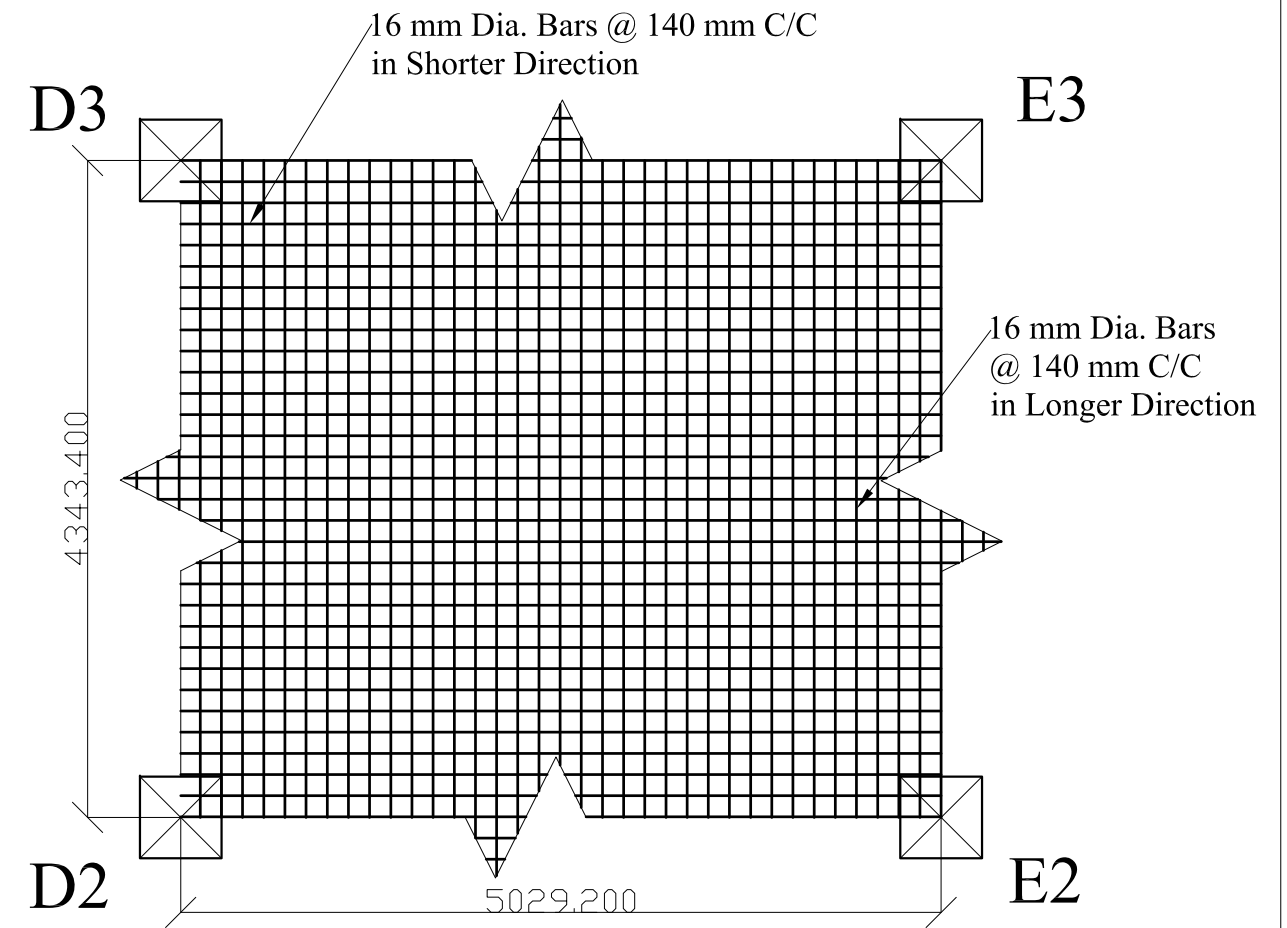




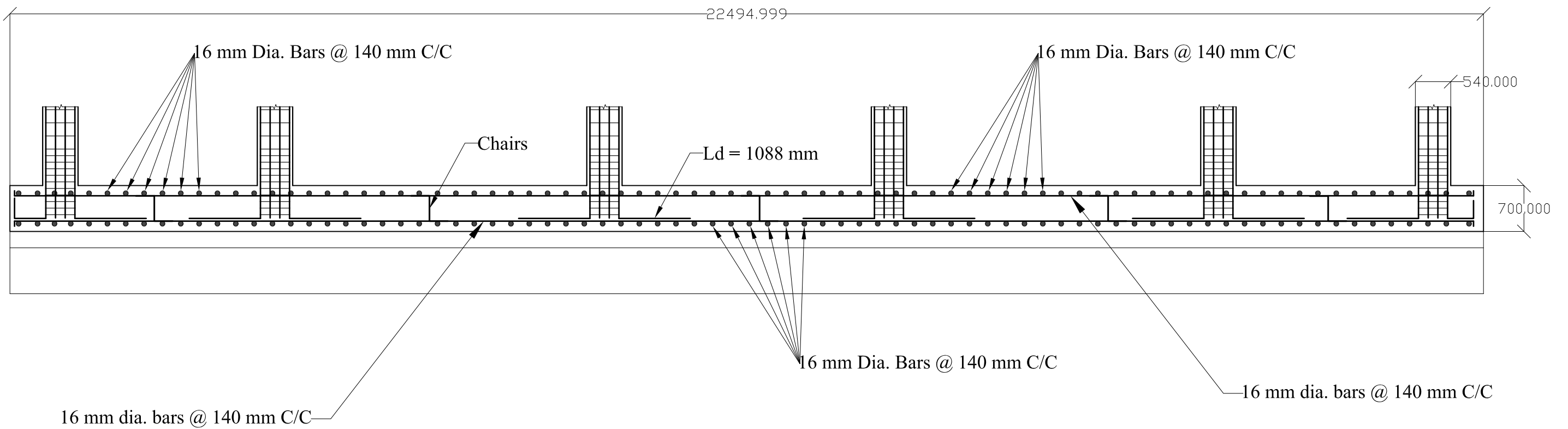




FOUNDATION TRENCH PLAN



PLAN SHOWING REINFORCEMENT OF MAT FOUNDATION



DETAILING OF MAT FOUNDATION (SECTION AT X-X)